



DIECI



45.8

60.9

65.8

75.10

SAMSON

PERFORMANCE							
Machine model	SAMSON 45.8	SAMSON 65.8	SAMSON 65.8	SAMSON 60.9	SAMSON 60.9	SAMSON 75.10	SAMSON 75.10
Outriggers maximum capacity	-	-	-	-	-	7500 kg (16535 lb)	7500 kg (16535 lb)
Wheels maximum capacity	4500 kg (9921 lb)	6500 kg (14330 lb)	6500 kg (14330 lb)	6000 kg (13228 lb)	6000 kg (13228 lb)	7200 kg (15873 lb)	7200 kg (15873 lb)
Maximum lifting height on wheels	7,90 m (26 ft)	7,70 m (25 ft)	7,70 m (25 ft)	8,60 m (28 ft)	8,60 m (28 ft)	9,50 m (31 ft)	9,50 m (31 ft)
Maximum horizontal extension on wheels	4,45 m (15 ft)	4,20 m (14 ft)	4,20 m (14 ft)	4,90 m (16 ft)	4,90 m (16 ft)	5,40 m (18 ft)	5,40 m (18 ft)
Fork swiveling angle	134°	144°	144°	144°	144°	134°	134°
Pull-out force	5700 daN (12814 lbf)	5700 daN (12814 lbf)	5700 daN (12814 lbf)	5700 daN (12814 lbf)	5700 daN (12814 lbf)	5700 daN (12814 lbf)	5700 daN (12814 lbf)
Towing force	7300 daN (16411 lbf)	7300 daN (16411 lbf)	7300 daN (16411 lbf)	7300 daN (16411 lbf)	7300 daN (16411 lbf)	7300 daN (16411 lbf)	7300 daN (16411 lbf)
Maximum climb angle	40%	40%	40%	40%	40%	40%	40%
Unladen weight	8800 kg (19401 lb)	10900 kg (24030 lb)	10900 kg (24030 lb)	11100 kg (24471 lb)	11100 kg (24471 lb)	12100 kg (26676 lb)	12100 kg (26676 lb)
Maximum speed	40 km/h (24,9 mph)	40 km/h (24,9 mph)	40 km/h (24,9 mph)	40 km/h (24,9 mph)	40 km/h (24,9 mph)	40 km/h (24,9 mph)	40 km/h (24,9 mph)
BOOM							
Machine model	SAMSON 45.8	SAMSON 65.8	SAMSON 65.8	SAMSON 60.9	SAMSON 60.9	SAMSON 75.10	SAMSON 75.10
Lifting	13,0 s	12,8 s	12,8 s	13,4 s	13,4 s	15,1 s	15,1 s
Getting off the basket	9,8 s	8,0 s	8,0 s	8,4 s	8,4 s	9,9 s	9,9 s
Extension	6,8 s	6,7 s	6,7 s	7,8 s	7,8 s	10,4 s	10,4 s
Retraction	3,8 s	3,0 s	3,0 s	3,4 s	3,4 s	4,1 s	4,1 s
Forward swiveling	3,3 s	3,5 s	3,5 s	3,5 s	3,5 s	4,6 s	4,6 s
Reverse swiveling	2,3 s	2,3 s	2,3 s	2,3 s	2,3 s	2,0 s	2,0 s
ENGINE							
Machine model	SAMSON 45.8	SAMSON 65.8	SAMSON 65.8	SAMSON 60.9	SAMSON 60.9	SAMSON 75.10	SAMSON 75.10
Brand	Kubota	FPT	FPT	FPT	FPT	FPT	FPT
Nominal power	83,5 kW (112 HP)	96 kW (129 HP)	103 kW (138 HP)	96 kW (129 HP)	103 kW (138 HP)	96 kW (129 HP)	103 kW (138 HP)
@rpm	2600 rpm	2200 rpm	2200 rpm	2200 rpm	2200 rpm	2200 rpm	2200 rpm
Peak power	-	105 kW (141 HP)	113 kW (152 HP)	105 kW (141 HP)	113 kW (152 HP)	105 kW (141 HP)	113 kW (152 HP)
@rpm	-	1900 rpm	1900 rpm	1900 rpm	1900 rpm	1900 rpm	1900 rpm
Operation	4-stroke	4-stroke	4-stroke	4-stroke	4-stroke	4-stroke	4-stroke
Injection	Electronic, Common Rail	Electronic, Common Rail	Electronic, Common Rail	Electronic, Common Rail	Electronic, Common Rail	Electronic, Common Rail	Electronic, Common Rail
Number and arrangement of cylinders	4, Vertical in line	4, Vertical in line	4, Vertical in line	4, Vertical in line	4, Vertical in line	4, Vertical in line	4, Vertical in line
Displacement	3769 cm ³ (230 in ³)	4485 cm ³ (274 in ³)	4485 cm ³ (274 in ³)	4485 cm ³ (274 in ³)	4485 cm ³ (274 in ³)	4485 cm ³ (274 in ³)	4485 cm ³ (274 in ³)
Consumption	231 g/kWh (380 lb/Hp h)	208 g/kWh (342,16 lb/Hp h)	208 g/kWh (342,16 lb/Hp h)	208 g/kWh (342,16 lb/Hp h)	208 g/kWh (342,16 lb/Hp h)	208 g/kWh (342,16 lb/Hp h)	208 g/kWh (342,16 lb/Hp h)
@rpm	2600 rpm	1900 rpm	1900 rpm	1900 rpm	1900 rpm	1900 rpm	1900 rpm
Emission standards	Stage IIIB/Tier 4i	Stage IIIB/Tier 4i	Stage IIIB/Tier 4i	Stage IIIB/Tier 4i	Stage IIIB/Tier 4i	Stage IIIB/Tier 4i	Stage IIIB/Tier 4i
Exhaust gas treatment	Particulate filter (DPF)	SCR (AdBlue)	SCR (AdBlue)	SCR (AdBlue)	SCR (AdBlue)	SCR (AdBlue)	SCR (AdBlue)
Cooling system	Liquid	Liquid	Liquid	Liquid	Liquid	Liquid	Liquid
Intake	Turbo compressor after-cooler	16-valve turbo compressor, aftercooler	16-valve turbo compressor, aftercooler	16-valve turbo compressor, aftercooler	16-valve turbo compressor, aftercooler	16-valve turbo compressor, aftercooler	16-valve turbo compressor, aftercooler
DIFFERENTIAL AXLES							
Machine model	SAMSON 45.8	SAMSON 65.8	SAMSON 65.8	SAMSON 60.9	SAMSON 60.9	SAMSON 75.10	SAMSON 75.10
Axles type	2 steering, with 4 planetary reduction gears	2 steering, with 4 planetary reduction gears	2 steering, with 4 planetary reduction gears	2 steering, with 4 planetary reduction gears	2 steering, with 4 planetary reduction gears	2 steering, with 4 planetary reduction gears	2 steering, with 4 planetary reduction gears
Type of steering	4 wheels / transversal / 2 wheels	4 wheels / transversal / 2 wheels	4 wheels / transversal / 2 wheels	4 wheels / transversal / 2 wheels	4 wheels / transversal / 2 wheels	4 wheels / transversal / 2 wheels	4 wheels / transversal / 2 wheels
Front axle	Rigid (Levelling upon request)	Rigid (Levelling upon request)	Rigid (Levelling upon request)	Rigid (Levelling upon request)	Rigid (Levelling upon request)	Rigid (Levelling upon request)	Rigid (Levelling upon request)
Rear axle	Swinging	Swinging	Swinging	Swinging	Swinging	Swinging	Swinging
Service braking	Oil bath with servo brake on front and rear axle with double hydraulic system	Oil bath with servo brake on front and rear axle with double hydraulic system	Oil bath with servo brake on front and rear axle with double hydraulic system	Oil bath with servo brake on front and rear axle with double hydraulic system	Oil bath with servo brake on front and rear axle with double hydraulic system	Oil bath with servo brake on front and rear axle with double hydraulic system	Oil bath with servo brake on front and rear axle with double hydraulic system
Parking braking	Negative actuation with electrical control	Negative actuation with electrical control	Negative actuation with electrical control	Negative actuation with electrical control	Negative actuation with electrical control	Negative actuation with electrical control	Negative actuation with electrical control
REFUELING							
Machine model	SAMSON 45.8	SAMSON 65.8	SAMSON 65.8	SAMSON 60.9	SAMSON 60.9	SAMSON 75.10	SAMSON 75.10
Hydraulic system (total)	155,0 L (40,95 gal)	160,0 L (42,27 gal)	160,0 L (42,27 gal)	160,0 L (42,27 gal)	160,0 L (42,27 gal)	160,0 L (42,27 gal)	160,0 L (42,27 gal)
Diesel tank	105,0 L (27,74 gal)	125,0 L (33,02 gal)	125,0 L (33,02 gal)	125,0 L (33,02 gal)	125,0 L (33,02 gal)	105,0 L (27,74 gal)	105,0 L (27,74 gal)
AdBlue tank	-	27,0 L (7,13 gal)	27,0 L (7,13 gal)	27,0 L (7,13 gal)	27,0 L (7,13 gal)	35,0 L (9,25 gal)	35,0 L (9,25 gal)

HYDRAULIC SYSTEM

Machine model	SAMSON 45.8	SAMSON 65.8	SAMSON 65.8	SAMSON 60.9	SAMSON 60.9	SAMSON 75.10	SAMSON 75.10
Hydraulic pump type	Gear pump for power steering and movements	Gear pump for power steering and movements	Gear pump for power steering and movements	Gear pump for power steering and movements	Gear pump for power steering and movements	Gear pump for power steering and movements	Gear pump for power steering and movements
Hydraulic pump capacity	170 L/min (44,9 gal/min)	160 L/min (42,3 gal/min)	160 L/min (42,3 gal/min)	160 L/min (42,3 gal/min)	160 L/min (42,3 gal/min)	160 L/min (42,3 gal/min)	160 L/min (42,3 gal/min)
Max. operating pressure	25,0 MPa (3626 psi)	26,0 MPa (3771 psi)	26,0 MPa (3771 psi)	26,0 MPa (3771 psi)	26,0 MPa (3771 psi)	26,0 MPa (3771 psi)	26,0 MPa (3771 psi)
Distributor control	4in1 proportional Joystick	4in1 proportional Joystick	4in1 proportional Joystick	4in1 proportional Joystick	4in1 proportional Joystick	4in1 proportional Joystick	4in1 proportional Joystick

TRANSMISSION

Machine model	SAMSON 45.8	SAMSON 65.8	SAMSON 65.8	SAMSON 60.9	SAMSON 60.9	SAMSON 75.10	SAMSON 75.10
Transmission type	Hydrostatic with variable flow pump	Hydrostatic with variable flow pump	Hydrostatic with variable flow pump	Hydrostatic with variable flow pump	Hydrostatic with variable flow pump	Hydrostatic with variable flow pump	Hydrostatic with variable flow pump
Hydraulic motor	Hydrostatic with continuous automatic adjustment	Hydrostatic with continuous automatic adjustment	Hydrostatic with continuous automatic adjustment	Hydrostatic with continuous automatic adjustment	Hydrostatic with continuous automatic adjustment	Hydrostatic with continuous automatic adjustment	Hydrostatic with continuous automatic adjustment
Reversal	Electro-Hydraulic	Electro-Hydraulic	Electro-Hydraulic	Electro-Hydraulic	Electro-Hydraulic	Electro-Hydraulic	Electro-Hydraulic
Inching	With hydraulic pedal for controlled forward movement	With hydraulic pedal for controlled forward movement	With hydraulic pedal for controlled forward movement	With hydraulic pedal for controlled forward movement	With hydraulic pedal for controlled forward movement	With hydraulic pedal for controlled forward movement	With hydraulic pedal for controlled forward movement
Transmission gearbox	Servocontrolled 2-speed	Servocontrolled 2-speed	Servocontrolled 2-speed	Servocontrolled 2-speed	Servocontrolled 2-speed	Servocontrolled 2-speed	Servocontrolled 2-speed

TOWING CAPACITY (upon request)

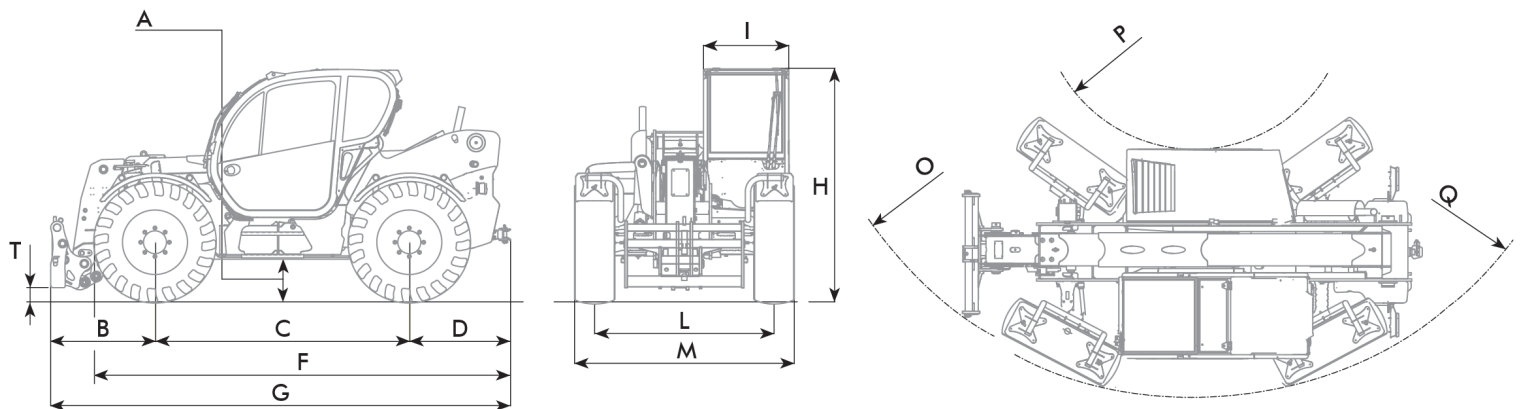
Machine model	SAMSON 45.8	SAMSON 65.8	SAMSON 65.8	SAMSON 60.9	SAMSON 60.9	SAMSON 75.10	SAMSON 75.10
Unbraked trailer	-	6000 kg (13228 lb)	6000 kg (13228 lb)	6000 kg (13228 lb)	6000 kg (13228 lb)	-	-
Inertia braking	-	9000 kg (19842 lb)	9000 kg (19842 lb)	9000 kg (19842 lb)	9000 kg (19842 lb)	-	-
Mechanical braking	-	6000 kg (13228 lb)	6000 kg (13228 lb)	6000 kg (13228 lb)	6000 kg (13228 lb)	-	-
Hydraulic/pneumatic braking	-	20000 kg (44092 lb)	20000 kg (44092 lb)	20000 kg (44092 lb)	20000 kg (44092 lb)	-	-

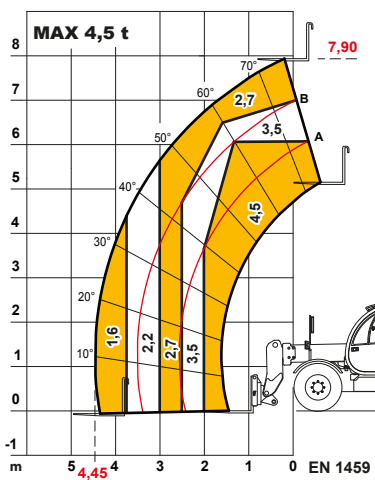
TIRES

Machine model	SAMSON 45.8	SAMSON 65.8	SAMSON 65.8	SAMSON 60.9	SAMSON 60.9	SAMSON 75.10	SAMSON 75.10
Standard tires	400/70x20"	18x22.5"	18x22.5"	18x22.5"	18x22.5"	18x22.5"	18x22.5"
Optional tires	400/70x24"; 18x22.5"	500/70R24"; 17.5R25"	500/70R24"; 17.5R25"	500/70R24"; 17.5R25"	500/70R24"; 17.5R25"	-	-

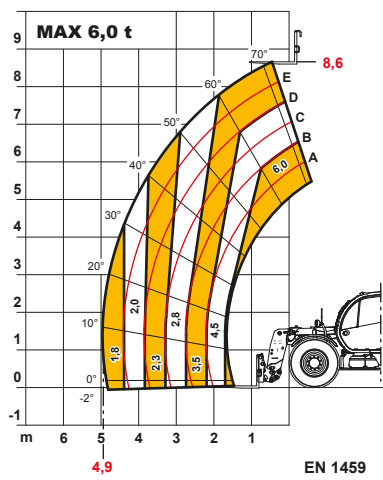
DIMENSIONS

Machine model	SAMSON 45.8	SAMSON 65.8	SAMSON 65.8	SAMSON 60.9	SAMSON 60.9	SAMSON 75.10	SAMSON 75.10
A	440 mm (17,3 in)	395 mm (15,6 in)	395 mm (15,6 in)	395 mm (15,6 in)	395 mm (15,6 in)	440 mm (17,3 in)	440 mm (17,3 in)
B	1480 mm (58,3 in)	1505 mm (59,3 in)	1505 mm (59,3 in)	1505 mm (59,3 in)	1505 mm (59,3 in)	1480 mm (58,3 in)	1480 mm (58,3 in)
C	2600 mm (102,4 in)	2800 mm (110,2 in)	2800 mm (110,2 in)	2800 mm (110,2 in)	2800 mm (110,2 in)	2950 mm (116,1 in)	2950 mm (116,1 in)
D	860 mm (33,9 in)	1050 mm (41,3 in)	1050 mm (41,3 in)	1050 mm (41,3 in)	1050 mm (41,3 in)	1330 mm (52,4 in)	1330 mm (52,4 in)
F	4000 mm (157,5 in)	4435 mm (174,6 in)	4435 mm (174,6 in)	4435 mm (174,6 in)	4435 mm (174,6 in)	4820 mm (189,8 in)	4820 mm (189,8 in)
G	4940 mm (194,5 in)	5005 mm (197 in)	5005 mm (197 in)	5355 mm (210,8 in)	5355 mm (210,8 in)	5910 mm (232,7 in)	5910 mm (232,7 in)
H	2460 mm (96,9 in)	2495 mm (98,2 in)	2495 mm (98,2 in)	2495 mm (98,2 in)	2495 mm (98,2 in)	2490 mm (98 in)	2490 mm (98 in)
I	940 mm (37 in)	940 mm (37 in)	940 mm (37 in)	940 mm (37 in)	940 mm (37 in)	940 mm (37 in)	940 mm (37 in)
L	1910 mm (75,2 in)	1920 mm (75,6 in)	1920 mm (75,6 in)	1920 mm (75,6 in)	1920 mm (75,6 in)	1920 mm (75,6 in)	1920 mm (75,6 in)
M	2310 mm (90,9 in)	2390 mm (94,1 in)	2390 mm (94,1 in)	2390 mm (94,1 in)	2390 mm (94,1 in)	2380 mm (93,7 in)	2380 mm (93,7 in)
O	4080 mm (160,6 in)	4350 mm (171,3 in)	4350 mm (171,3 in)	4550 mm (179,1 in)	4550 mm (179,1 in)	4730 mm (186,2 in)	4730 mm (186,2 in)
P	1260 mm (49,6 in)	1700 mm (66,9 in)	1700 mm (66,9 in)	1700 mm (66,9 in)	1700 mm (66,9 in)	1700 mm (66,9 in)	1700 mm (66,9 in)
Q	3920 mm (154,3 in)	4400 mm (173,2 in)	4400 mm (173,2 in)	4400 mm (173,2 in)	4400 mm (173,2 in)	4400 mm (173,2 in)	4400 mm (173,2 in)
T	125 mm (4,9 in)	145 mm (5,7 in)	145 mm (5,7 in)	145 mm (5,7 in)	145 mm (5,7 in)	100 mm (3,9 in)	100 mm (3,9 in)

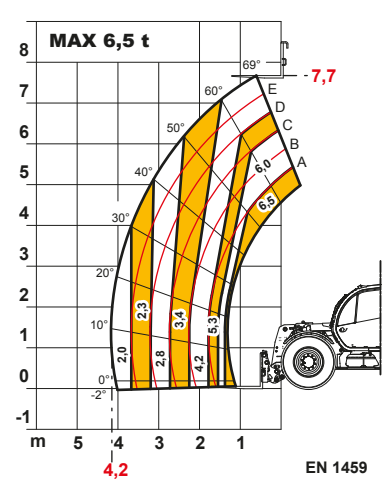




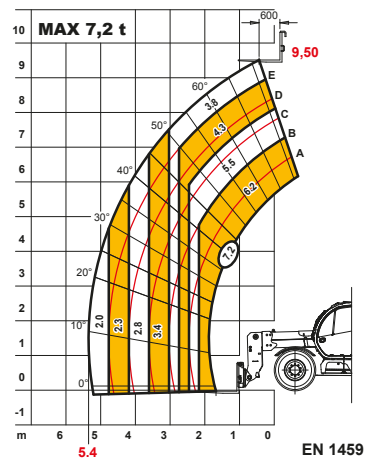
Samson 45.8



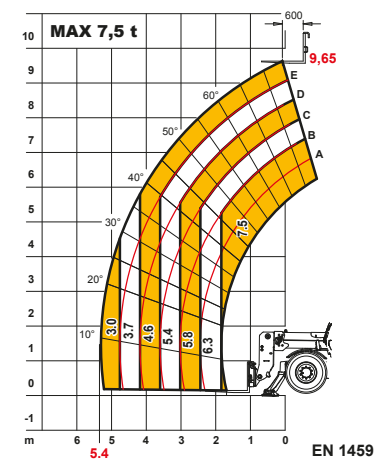
Samson 60.9



Samson 65.8



Samson 75.10



Samson 75.10



CO.MA.CO S.r.l.
 via XIV Strada 21 - 20020 Cesate (MI) - Italy
 Tel. +39 02 99065169
 info@comacopro.com
 www.comacopro.com