

TL49J

TOWABLE BOOM LIFT



- Heavy-duty trailer mounted boom lift
- Superb working envelope with articulating/telescopic boom
- Easy to use live hydraulic controls
- Simple to maintain
- Range of power source options

TOWABLE BOOM LIFT

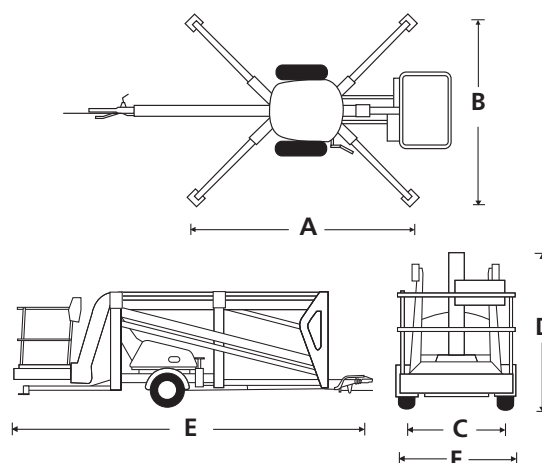
TL49J

DIMENSIONS	TL49J
Max. working height	16.7m
Max. platform height	14.7m
Max. working outreach	8.5m
Platform width (C)	1.14m
Platform depth	0.7m
Outrigger footprint (A x B)	4.8m x 4.7m
Towing width (F)	1.72m
Towing length (E)	7.1m
Stowed height (D)	2.16m

PERFORMANCE	
Platform capacity (SWL)	200kg
Max. wind speed	12.5m/s
Jib length	1.3m
Jib arc	130°
Platform rotation	90°
Turret rotation (non-continuous)	680°
Wheels	205/75R16
Controls	hydraulic proportional

POWER	
Power source	24V battery (4 x 6V 195Ah batteries)
Power options	bi-energy (diesel/petrol and DC battery power) or 230V mains

WEIGHT	
Weight (battery model)	2,389kg



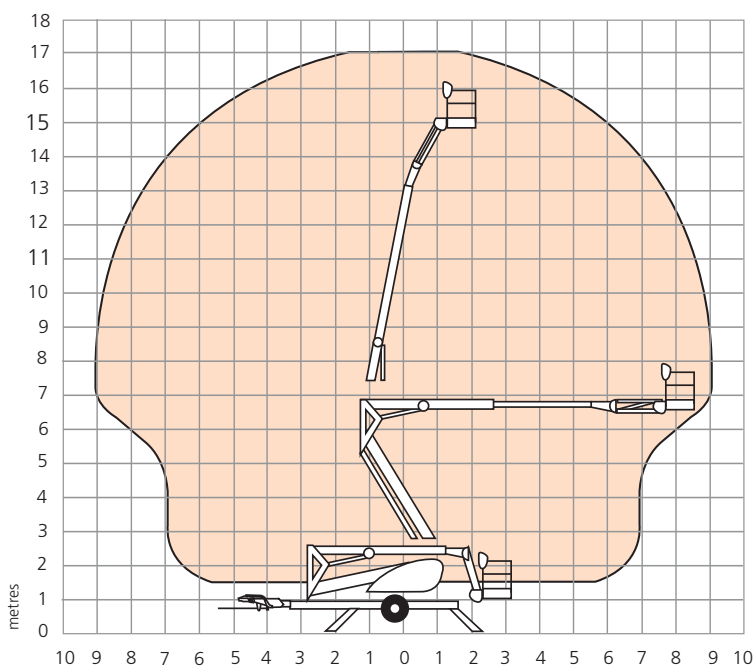
STANDARD FEATURES

- Hydraulic outriggers
- In-line boom design for maximum rigidity
- Hand pump emergency lowering from platform
- Lock valves on all hydraulic cylinders
- Proportional live hydraulic controls
- Integral road lighting board
- Power line to platform
- 2 year parts & labour, 5 year structural warranty
- CE approved

OPTIONS

- Special paint colours
- Friction drive assist package
- Work lights in platform
- Flashing amber light
- Airline to platform
- Nylon spreader pads (set of 4)

WORKING ENVELOPE



CO.MA.CO S.r.l.
 via XIV Strada 21 - 20020 Cesate (MI) - Italy
 Tel. +39 02 99065169
 info@comacopro.com
 www.comacopro.com